



in association with



WMC6742

Washing Machine



Kg Load



Steel Seal™



Active Drum™



G-Factor

Quick Overview

- Maximum spin speed: 1400 rpm
- Finish: Titanium effect
- 26 programmes
- Connection: 230V / 1ph / 10A / 50Hz / 2kW
- Electrical reconfiguration: No
- Pump and valve drain system machines available
- Prepared for Auto Dosing: No
- WiFi for ConnectLife: No
- Prepared for payment systems (coin, card and AIRwallet): No



Construction

Operating position: Front-operated

Capacity: 7kg

Door opening: 31cm

Door opening angle: 180°

Door opening: Left hinge

Material: Stainless steel

Base plate: Waterproof with flood sensor

Drum volume: 60L

Electrics

Connection power: 2,200W

Fuse: 10A

Electrical connection: 220-240V

Frequency: 50Hz

Length of power cable: 2.1m

Phases: 1

Connection of water/drain

Cold and hot water connection: Size 3/4"
(adapter 1/2" included)

Inlet hose: PEX inlet hose, able to withstand 10 bar at 95°C (tested to over 50 years)

Drainage capacity: 20l/min

Drain system: Drain valve or pump available

Dimensions

Dimensions (H x W x D): 850 x 595 x 591mm

Packaging dimensions: 920 x 640 x 661mm

Net weight: 76.5kg

Gross weight: 79.7kg

Adjustable feet: 10mm

Depth with door open: 965mm

Inlet hose, length: 1,500mm

Inlet hose: 1,600mm

WMC6742 Washing Machine

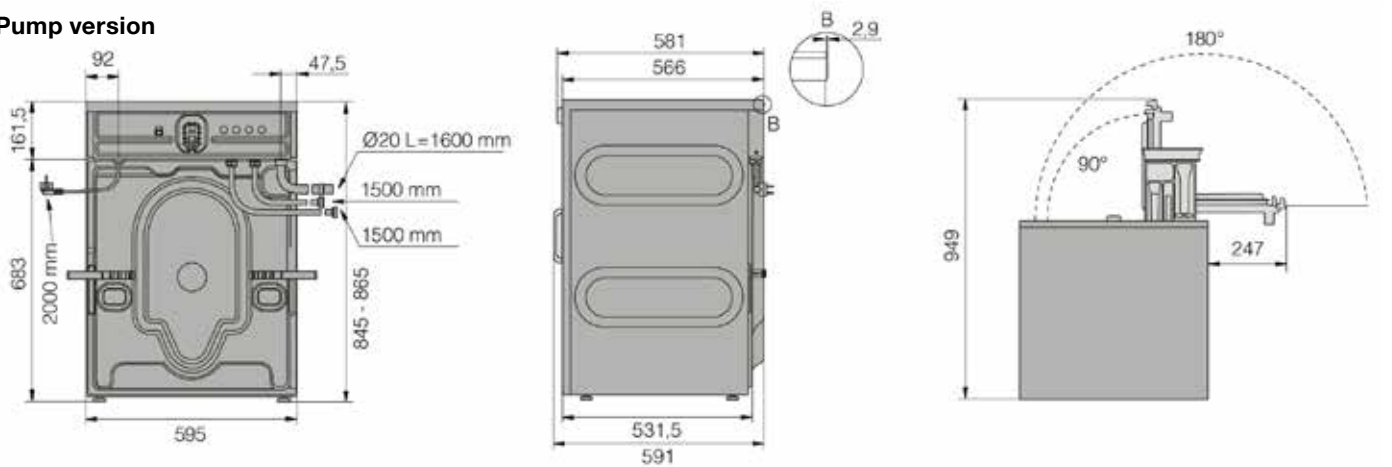
Functions
Spin setting: Fixed
Detection and automatic correction of imbalance in the drum: Yes
Flood protection: Yes
Delayed start: Yes, up to 100 hours
Possible to connect and control via WIFI: No
Overheating protection: For motor and electronics

Performance
Residual humidity: 49%
Heater power: 2,000W
Temperature range: Cold - 90°C

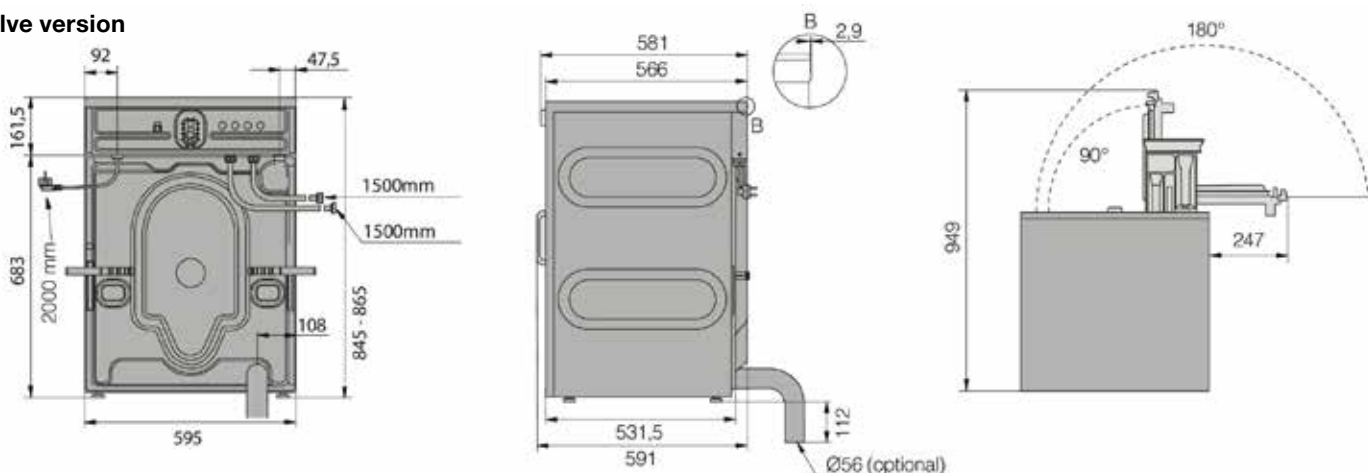
Operations
Display type: LCD display
Language: CN, HR, CZ, DK, NL, EN, EE, FI, FR, DE, IT, JP, LV, LT, NO, PL, RU, SK, SL, ES, SE
Detergent dispenser: Three compartment dispenser

Programmes		
Allergy cotton 60°C	White/Coloured wash 60°C Professional	Wool and hand wash 40°C
Allergy cotton 90°C	White/Coloured wash 40°C Professional	MOP wash 60°C
Allergy synthetics 60°C	Quick 60°C Professional	MOP wash 90°C
Drum cleaning	Quick 40°C Professional	Microfibre 40°C
Allergy synthetics 40°C	White/colour 20 °C	Microfiber wash 60°C
Eco 40-60 °C	Synthetic wash 40°C Professional	Disinfection 60°C
Rough wash 90°C	Drain	Disinfection 40°C
Rough wash 60°C	Spin	Disinfection 90°C
White wash 90°C Professional	Rinse	

Pump version



Valve version



DC Products

Unit 25 Lodge Hill Industrial Park, Westbury Sub Mendip, Somerset, BA5 1EY

t: 01749 870055 e: sales@dcproducts.co.uk w: www.laundry.dcproducts.co.uk

