



in association with



WMC6763 Washing Machine



Kg Load



Steel Seal™



Active Drum™



G-Factor



WiFi for ConnectLife



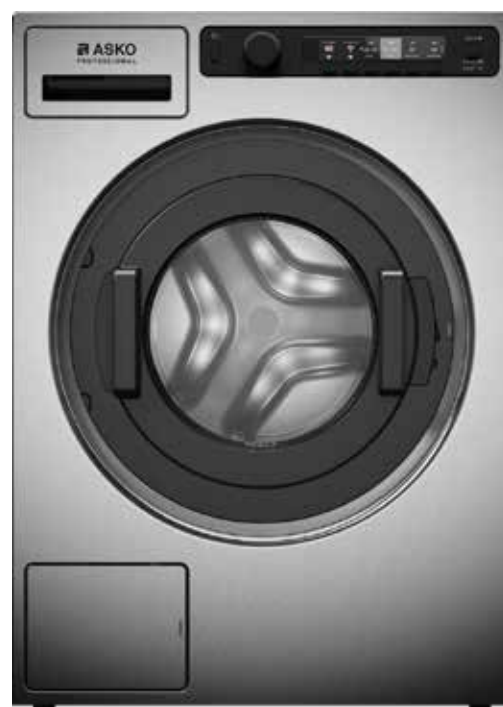
Prepared connection to external auto dosing units



Prepared connection to external payment systems

Quick Overview

- Load capacity: 7kg; Drum size: 60L
- Maximum spin speed: 1600 rpm
- Finish: Touch Proof™ Stainless steel
- 26 programmes
- Connection: 230V / 1ph / 16A / 50Hz / 3.2kW
- Electrical reconfiguration: Yes, 400V / 3ph / 10A / 3.2kW or 230V / 1ph / 10A / 2.2kW
- Pump and valve drain system machines available
- Prepared for Auto Dosing: Yes
- WiFi for ConnectLife: Yes
- Prepared for payment systems (coin, card and AIRwallet): Yes
- Tested over 30,000 cycles



Construction

Operating position: Front-operated

Capacity: 7kg

Door opening: 31cm

Door opening angle: 180°

Door opening: Left hinge

Material: Stainless steel

Base plate: Waterproof with flood sensor

Drum volume: 60L

Electrics

Connection power: 3,200W

Fuse: 16A

Electrical connection: 220-240V

Frequency: 50Hz

Length of power cable: 2.1m

Phases: 1

Connection of water/drain

Cold and hot water connection: Size 3/4" (adapter 1/2" included)

Inlet hose: PEX inlet hose, able to withstand 10 bar at 95°C (tested to over 50 years)

Drainage capacity: 20l/min

Drain system: Drain valve or pump available

Dimensions

Dimensions (H x W x D): 850 x 595 x 591mm

Packaging dimensions: 920 x 640 x 661mm

Net weight: 76.5kg

Gross weight: 79.7kg

Adjustable feet: 10mm

Depth with door open: 965mm

Inlet hose, length: 1,500mm

Inlet hose: 1,600mm

WMC6763 Washing Machine

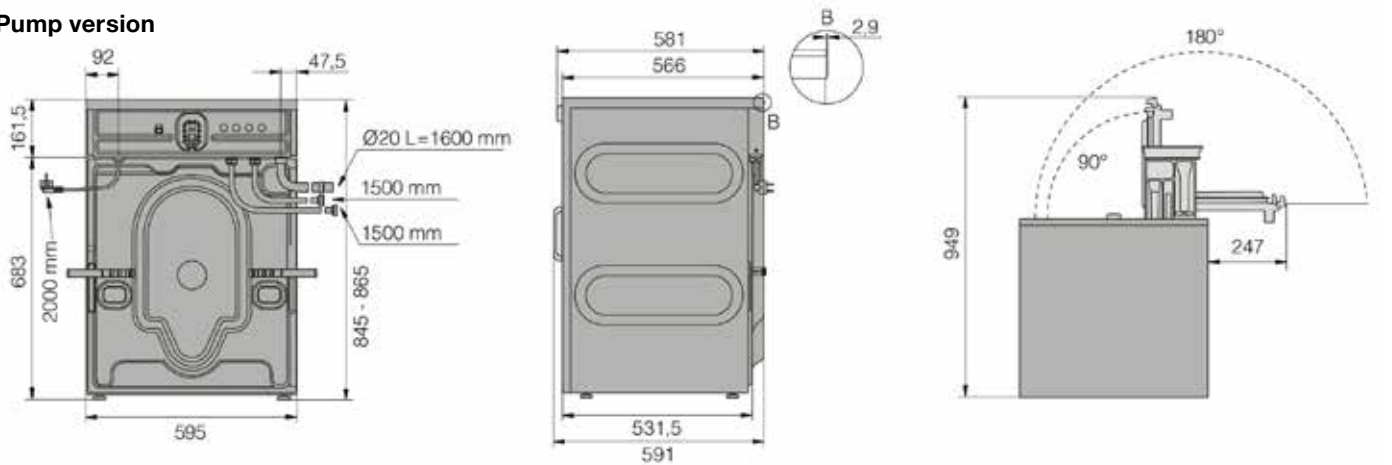
| Functions |
|---|
| Detection and automatic correction of imbalance in the drum: Yes |
| Flood protection: Yes |
| Delayed start: Yes, up to 100 hours |
| Possible to connect and control via WIFI: Yes |
| Overheating protection: For motor and electronics |

| Performance |
|---------------------------------------|
| Residual humidity: 44% |
| Heater power: 3,000W |
| Temperature range: Cold - 90°C |

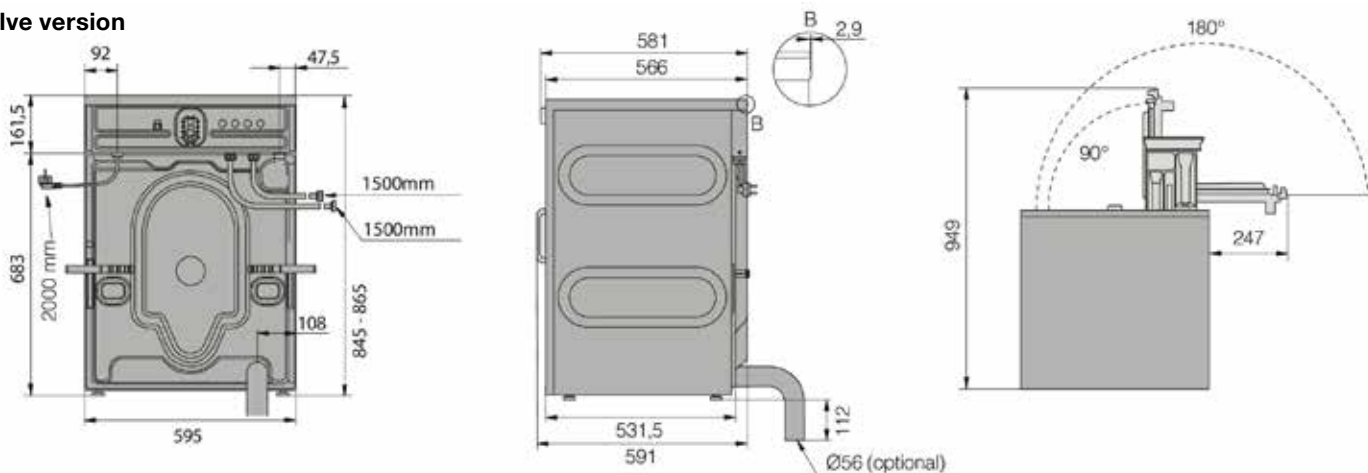
| Operations |
|---|
| Display type: TFT display |
| Language: CN, HR, CZ, DK, NL, EN, EE, FI, FR, DE, IT, JP, LV, LT, NO, PL, RU, SK, SL, ES, SE |
| Detergent dispenser: Three compartment dispenser |

| Programmes | | |
|------------------------------|---------------------------------------|-------------------------|
| Allergy cotton 60°C | White/Coloured wash 60°C Professional | Wool and hand wash 40°C |
| Allergy cotton 90°C | White/Coloured wash 40°C Professional | MOP wash 60°C |
| Allergy synthetics 60°C | Quick 60°C Professional | MOP wash 90°C |
| Drum cleaning | Quick 40°C Professional | Microfibre 40°C |
| Allergy synthetics 40°C | White/colour 20 °C | Microfiber wash 60°C |
| Eco 40-60 °C | Synthetic wash 40°C Professional | Disinfection 60°C |
| Rough wash 90°C | Drain | Disinfection 40°C |
| Rough wash 60°C | Spin | Disinfection 90°C |
| White wash 90°C Professional | Rinse | |

Pump version



Valve version



DC Products

Unit 25 Lodge Hill Industrial Park, Westbury Sub Mendip, Somerset, BA5 1EY

t: 01749 870055 e: sales@dcproducts.co.uk w: www.laundry.dcproducts.co.uk

